



## Modular Cooking Range Line 700XP One Well Gas Fryer Top 7 liter

ITEM # \_\_\_\_\_

MODEL # \_\_\_\_\_

NAME # \_\_\_\_\_

SIS # \_\_\_\_\_

AIA # \_\_\_\_\_



371422 (E7KKBT AOMCI)

7-lt gas Fryer Top with 1 "V" shape well (external burners), 1 basket and lid included, Q Mark

### Short Form Specification

**Item No.** \_\_\_\_\_

To be installed on open base installations, bridging supports or cantilever systems. High efficiency 7 kW burners in stainless steel. Suitable for natural gas or LPG. Deep drawn V-shaped well. Oil drains through a tap on the front. Exterior panels in stainless steel with Scotch Brite finish. One piece pressed work top in 1.5 mm thick stainless steel. Right-angled side edges to allow flush-fitting junction between units.

### Main Features

- Unit to be mounted on open base cupboards, bridging supports or cantilever systems.
- Deep drawn V-Shaped well.
- High efficiency 7 kW burners in stainless steel with flame failure device attached to the outside of the well.
- Thermostatic regulation of oil temperature up to a maximum of 185 °C.
- Flame failure device on each burner.
- Overheat protection thermostat as standard on all units.
- Oil drains through a tap positioned on the front the well.
- All major compartments located in front of unit for ease of maintenance.
- Piezo spark ignition for added safety.
- Gas appliance supplied for use with natural or LPG gas, conversion jets supplied as standard.
- IPx4 water protection.
- Optional portable oil quality monitoring tool (code 9B8081) for efficient oil management.
- Suitable for countertop installation.

### Construction

- Interior of well with rounded corners for ease of cleaning.
- All exterior panels in Stainless Steel with Scotch Brite finishing.
- One piece pressed 1.5 mm work top in Stainless steel.
- Model has right-angled side edges to allow flush fitting joints between units, eliminating gaps and possible dirt traps.
- Q Mark model delivered with nozzles for G30-50 mbar.

### Sustainability

- This model is compliant with Swiss Energy Efficiency Ordinance (730.02).



APPROVAL: \_\_\_\_\_



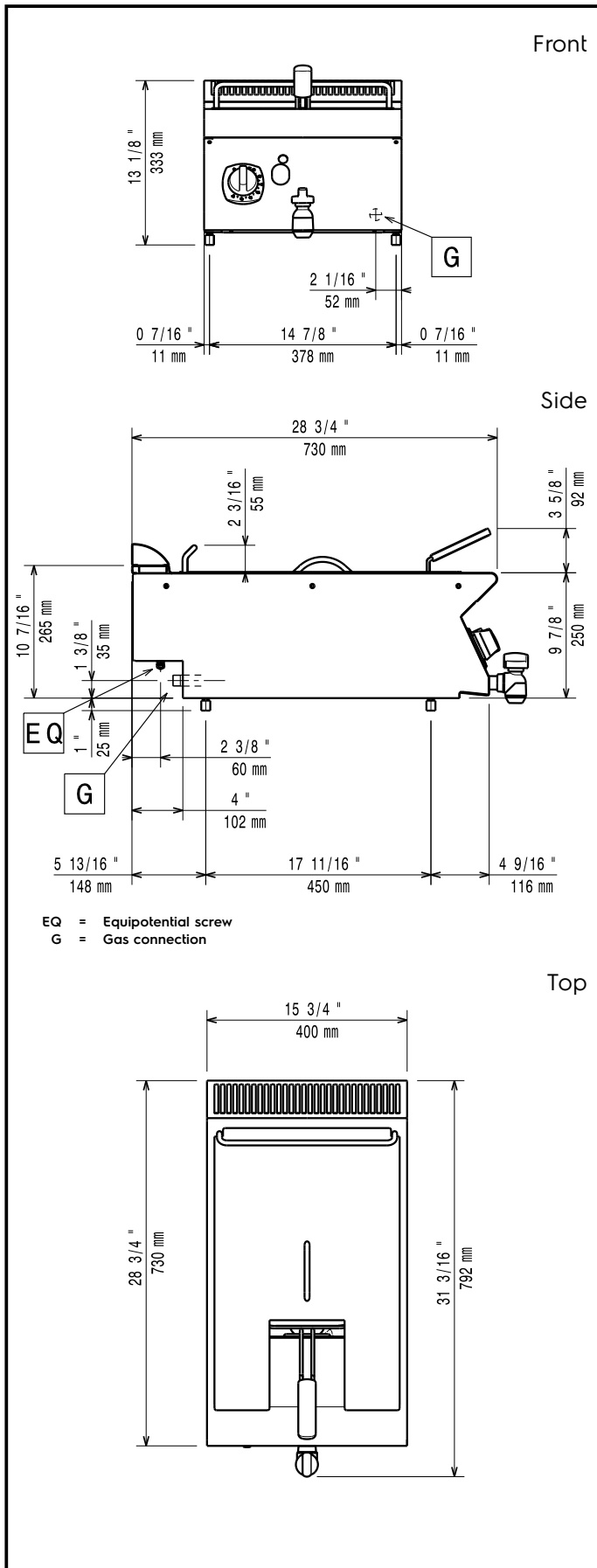
Experience the Excellence  
[www.electroluxprofessional.com](http://www.electroluxprofessional.com)

**Included Accessories**

- 1 of Basket for 7lt top and free standing PNC 921608 fryers

**Optional Accessories**

- Junction sealing kit PNC 206086
- Draught diverter, 120 mm diameter PNC 206126
- Matching ring for flue condenser, 120 mm diameter PNC 206127
- Support for bridge type installation, 800mm PNC 206137
- Support for bridge type installation, 1000mm PNC 206138
- Support for bridge type installation, 1200mm PNC 206139
- Support for bridge type installation, 1400mm PNC 206140
- Support for bridge type installation, 1600mm PNC 206141
- Support for bridge type installation, 400mm PNC 206154
- Chimney upstand, 400mm PNC 206303
- Right and left side handrails PNC 206307
- Back handrail 800 mm PNC 206308
- Flue condenser for 1/2 module, 120 mm diameter PNC 206310
- Chimney grid net, 400mm (700XP/900) PNC 206400
- Kit G.25.3 (NI) gas nozzles for 900 fryers PNC 206467
- 2 side covering panels for top appliances PNC 216277
- Basket for 7lt top and free standing fryers PNC 921608
- Pressure regulator for gas units PNC 927225



### Gas

|                               |                      |               |
|-------------------------------|----------------------|---------------|
| <b>Gas Power:</b>             | 371422 (E7KKBTAOMCI) | 7 kW          |
| <b>Standard gas delivery:</b> |                      | G30 - 50 mbar |
| <b>Gas Type Option:</b>       |                      | G31 37 mbar   |
| <b>Gas Inlet:</b>             |                      | 1/2"          |

### Key Information:

|   |                        |
|---|------------------------|
| <b>Usable well dimensions (width):</b>  | 240 mm                 |
| <b>Usable well dimensions (height):</b> | 235 mm                 |
| <b>Usable well dimensions (depth):</b>  | 380 mm                 |
| <b>Well capacity:</b>                   | 5.5 lt MIN; 7 lt MAX   |
| <b>Thermostat Range:</b>                | 105 °C MIN; 185 °C MAX |
| <b>Net weight:</b>                      | 30 kg                  |
| <b>Shipping weight:</b>                 | ISO 9001; ISO 14001 kg |
| <b>Shipping height:</b>                 | 520 mm                 |
| <b>Shipping width:</b>                  | 460 mm                 |
| <b>Shipping depth:</b>                  | 820 mm                 |
| <b>Shipping volume:</b>                 | 0.2 m <sup>3</sup>     |

If appliance is set up or next to or against temperature sensitive furniture or similar, a safety gap of approximately 150 mm should be maintained or some form of heat insulation fitted.

**Certification group:** N7FG